

75W Single Output With PFC Function



GSP-75...

Features:

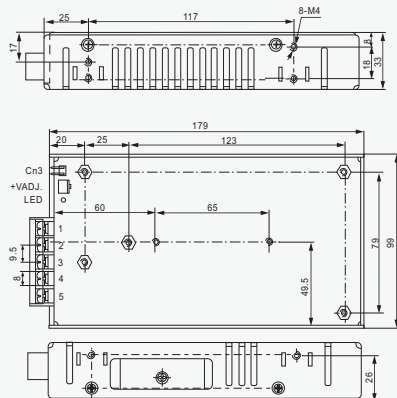
- Universal AC input/Full range
- Built-in active PFC function, PF>0.93
- 100% full load burn-in test
- Protections: Short circuit/Over load/Over voltage
- Built-in constant current limiting circuit
- LED indicator for power on
- Fixed switching frequency at PFC: 67KHz,PWM:134KHz
- 3 years warranty
- Dimension: 179*99*33mm (L*W*H)

Notes:

- All parameters NOT specially mentioned are measured at 230VAC input, rated load and 25°C of ambient temperature.
- Ripple & noise are measured at 20MHz of bandwidth by using a 12" twisted pair-wire terminated with a 0.1μ & 47μf parallel capacitor.
- Each output can within current range. But total output power can't exceed rated load
- The power supply is considered a component which will be installed into a final equipment. The final equipment must be re-confirmed that it still meets EMC directives.

Model		GSP-75 -3.3	GSP-75 -5	GSP-75 -7.5	GSP-75 -12	GSP-75 -13.5	GSP-75 -15	GSP-75 -24	GSP-75 -27	GSP-75 -48	
Output	DC Voltage	3.3V	5V	7.5V	12V	13.5V	15V	24V	27V	48V	
	Voltage Tolerance	±2%	±2%	±2%	±2%	±2%	±2%	±1%	±1%	±1%	
	Rated Current	15A	15A	10A	6.3A	5.6A	5A	3.2A	2.8A	1.6A	
	Current Range	0-15A	0-15A	0-10A	0-6.3A	0-5.6A	0-5A	0-3.2A	0-2.8A	0-1.6A	
	Rated Power	49.5W	75W	75W	75.6W	75.6W	75W	76.8W	75.6W	76.8W	
	Ripple & Noise	80mVp-p							100mVp-p		
	DC Voltage adi.Range	-5%,+10%									
	Setup,Rise,Hold Time	600ms,60ms,20ms at full load									
Input	Voltage Range	85-264 VAC,47-63Hz;120-370VDC									
	Power Factor	PF>0.93/230VAC, PF>0.96/115VAC at full load									
	AC Current	1.3A/115 VAC 0.7A/230VAC									
	Efficiency	68%	72%	74%	77%	78%	79%	80%	80%	80%	
	Inrush Current	Cold start 40A/230VAC									
	Leakage Current	<2mA/240VAC									
Protection	Over Load	105%~150%									
		Protection type: Constant current limiting, recovers automatically after fault conditionis removed									
Protection	Over Voltage	115%~135%									
		Protection type: Shut down o/p voltage, re-power on to recover									
Function	Remote Control	CN3:4 ~ 10VDC POWER OFF , <0 ~ 0.8VDC POWER ON									
Environment	Working Temp & Humidity	-10°C+60°C;20%~90 %RH									
	Storage Temp & Humidity	-20°C+85°C; 10%~95 %RH									
	Vibration	10-500Hz, 2G 10min./1cycle, period for 60min, each along X, Y, Z axes									
Safety	Withstand Voltage	I/P-O/P: 3KVAC I/P-FG: 1.5KVAC O/P-FG: 0.5KVAC									
	Isolation Resistance	I/P-O/P, I/P-FG, O/P-FG: 100M Ohms / 500VDC									
Standards	Safety Standard	Design refer to UL1950,TUV EN60950									
	EMC Standard	EN55022,EN61000-3-2,-3,EN61000-4-2,3,4,5,6,8,11;ENV50204,EN55024									
Others	Weight	0.58Kg									
	Packing	20pcs/12.0Kg/0.64CUFT									

Outline and dimension



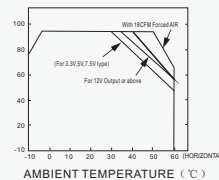
Terminal Pin No. Assignment

Pin No.	Assignment	Pin No.	Assignment
1	DC OUTPUT +V	3	FG
2	DC OUTPUT -V	4, 5	AC INPUT

Remote ON/OFF (CN3): Molex 5046-02 or equivalent

Pin No.	Assignment	Mating Connector	Terminal
1	RC-	Molex 5051 or equivalent	Molex 2759 or equivalent
2	RC+		

Derating Curve



Output Derating VS Input Voltage

