

30W Triple Output Switching Power Supply



GT-30...

Feature

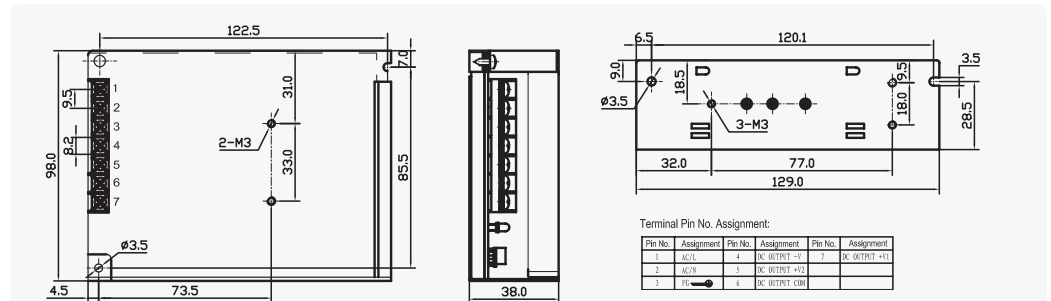
- High efficiency, high reliability, low cost
- AC input range selected by switch
- Protections: Short circuit/ Over load
- LED indicator for power on
- Cooling by free air convection
- Fixed switching frequency at 50KHz
- 1 year warranty
- Dimensions 129*98*38mm(L*W*H)

Notes:

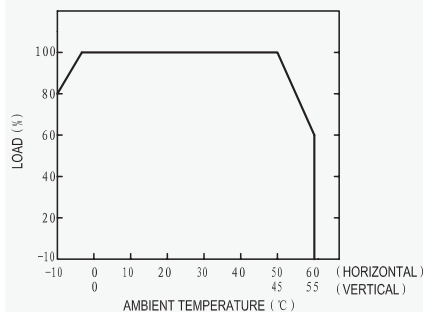
- All parameters NOT specially mentioned are measured at 230VAC input, rated load and 25°C of ambient temperature.
- Ripple & noise are measured at 20MHz of bandwidth by using a 12" twisted pair wire terminated with a 0.1μf & 47μf parallel capacitor.
- Tolerance: includes set up tolerance, line regulation and load regulation

Model	GT-30A			GT-30B			
	CH1	CH2	CH3	CH1	CH2	CH3	
Output	DC Voltage	5V	12V	-5V	5V	12V	-5V
	Voltage Tolerance	±1%	+2%, -6%	+2%, -10%	±2%	+2%, -6%	±6%
	Rated Current	3A	1A	0.5	3A	1A	0.5
	Current Range	0.5-3A	0.1-1A	0.1-0.5A	0.5-3A	0.1-1A	0.1-0.5A
	Rated Power	30W			33W		
	Ripple & Noise	50mVp-p	100mVp-p	50mVp-p	50mVp-p	100mVp-p	50mVp-p
	DC Voltage adi. Range	CH1: -5%, +10%					
	Setup, Rise, Hold Time	200ms, 100ms, 30ms at full load					
Input	Voltage Range	85~132 VAC/170~264VAC 47~63 Hz; selected by switch 40~370VDC					
	AC Current	0.8A/115 V0.45A/ 230 V					
	Efficiency	70%			72%		
	Inrush Current	Cold start 18A/115V36A/230V					
	Leakage Current	<0.75mA/240VAC					
Protection	Over Load	105%~150%					
		Protection type: Fold back current limiting, recovers automatically after fault condition is removed					
Environment	Working Temp & Humidity	-10°C~+60°C; 20%~90 %RH					
	Storage Temp & Humidity	-20°C~+85°C; 10%~95 %RH					
	Vibration	10-500Hz, 2G 10min./1cycle, period for 60min, each along X, Y, Z axes					
Safety	Withstand Voltage	I/P-O/P: 1.5KVAC I/P-FG: 1.5KVAC O/P-FG: 0.5KVAC					
	Isolation Resistance	I/P-O/P, I/P-FG, O/P-FG: 100M /500VDC					
Standards	Safety Standard	Design refer to UL 1012					
	EMC Standard	Design refer to FCC Part15 J Conduction Class A					
Others	Weight	0.42Kg					
	Packing	30pcs/13.6Kg/0.86CUFT					

Outline and dimension



Derating Curve



Static Characteristics(B)

