

**15W Single Output Switching Power Supply**



GS-15...

**Feature**

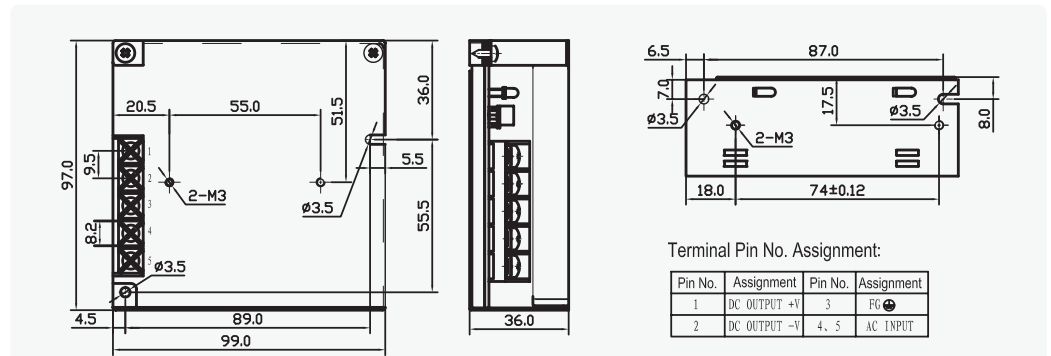
- High efficiency, high reliability, lost cost
- AC input range selected by switch
- 100% full load burn-in test
- Protections: Short circuit / Over load
- Cooling by free air convection
- Fixed switching frequency at 37KHz
- 1 year warranty
- Dimensions: 99\*97\*36mm(L\*W\*H)

**Notes:**

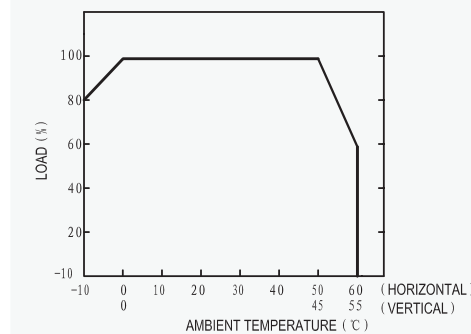
- All parameters NOT specially mentioned are measured at 230VAC input, rated load and 25°C of ambient temperature.
- Ripple & noise are measured at 20MHz of bandwidth by using a 12" twisted pair wire terminated with a 0.1µf & 47µf parallel capacitor.
- Tolerance: includes set up tolerance, line regulation and load regulation

Model	GS-15-5	GS-15-12	GS-15-24	
Output	DC Voltage	5V	12V	24V
	Voltage Tolerance	±2%	±1%	±1%
	Rated Current	3A	1.3A	0.7A
	Current Range	0-3A	0-1.3A	0-0.7A
	Rated Power	15W	15.6W	16.8W
	Ripple & Noise	50 mVp-p	50 mVp-p	100 mVp-p
	DC Voltage adi. Range	-5%,+10%	±10%	±10%
	Setup,Rise,Hold Time	200ms,100ms,30ms at full load		
Input	Voltage Range	85-132 VAC / 170-264 VAC 47-63 Hz; selected by switch 240-370VDC		
	AC Current	0.5 A/115 V 0.25A/ 230 V		
	Efficiency	65%	68%	72%
	Inrush Current	Cold start 15A/115VAC 30A/230VAC		
	Leakage Current	<0.5 mA/240VAC		
Protection	Over Load	110%-160% Protection type: Fold back current limiting, recovers automatically after fault condition is removed		
	Environment	Working Temp., Humidity	-10 C~+60 C; 20%~90 %RH	
Environment	Storage Temp., Humidity	-20 C~+85 C; 10%~95 %RH		
	Vibration	10~500Hz, 2G 10min./1cycl, period for 60 min, each along X, Y, Z, axes		
	Safety	Withstand Voltage	I/P-O/P: 1.5KVAC I/P-FG: 1.5KVAC O/P-FG: 0.5KVAC	
Isolation Resistance		I/P-O/P, I/P-FG, O/P-FG :100M /500VDC		
Standards	Safety Standard	Design refer to UL1012		
	EMC Standard	Design refer to FCC Part 15J Conduction Class B		
Others	Weight	0.31Kg		
	Packing	45pcs/15Kg/0.9CUFT		

**Outline and dimension**



**Derating Curve**



**Static Characteristics(A)**

